

Colosseo

SMALL TABLES

2018

Naoto Fukasawa



Description

Colosseo fits smoothly into the highly successful product category of accessories, furnishing elements that change function according to occasion and need, and for Colosseo this means transforming from coffee table to ottoman. When designing this new product, Fukasawa arrived at the shape he was searching for by considering a solid in the form of an upside-down truncated cone, lightened by arch-shaped grooves that define the surface, creating an assonance with the structure of the famous Roman arena it is named after. Made of hard polyurethane painted in several glossy colours, Colosseo is available in two sizes.

Technical information

Frame

hard polyurethane

Panel

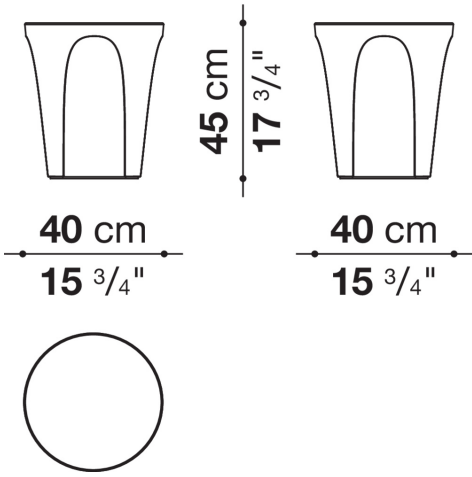
MDF wood fibre

Bottom base

felt

Technical drawings

TCL40



TCL45

